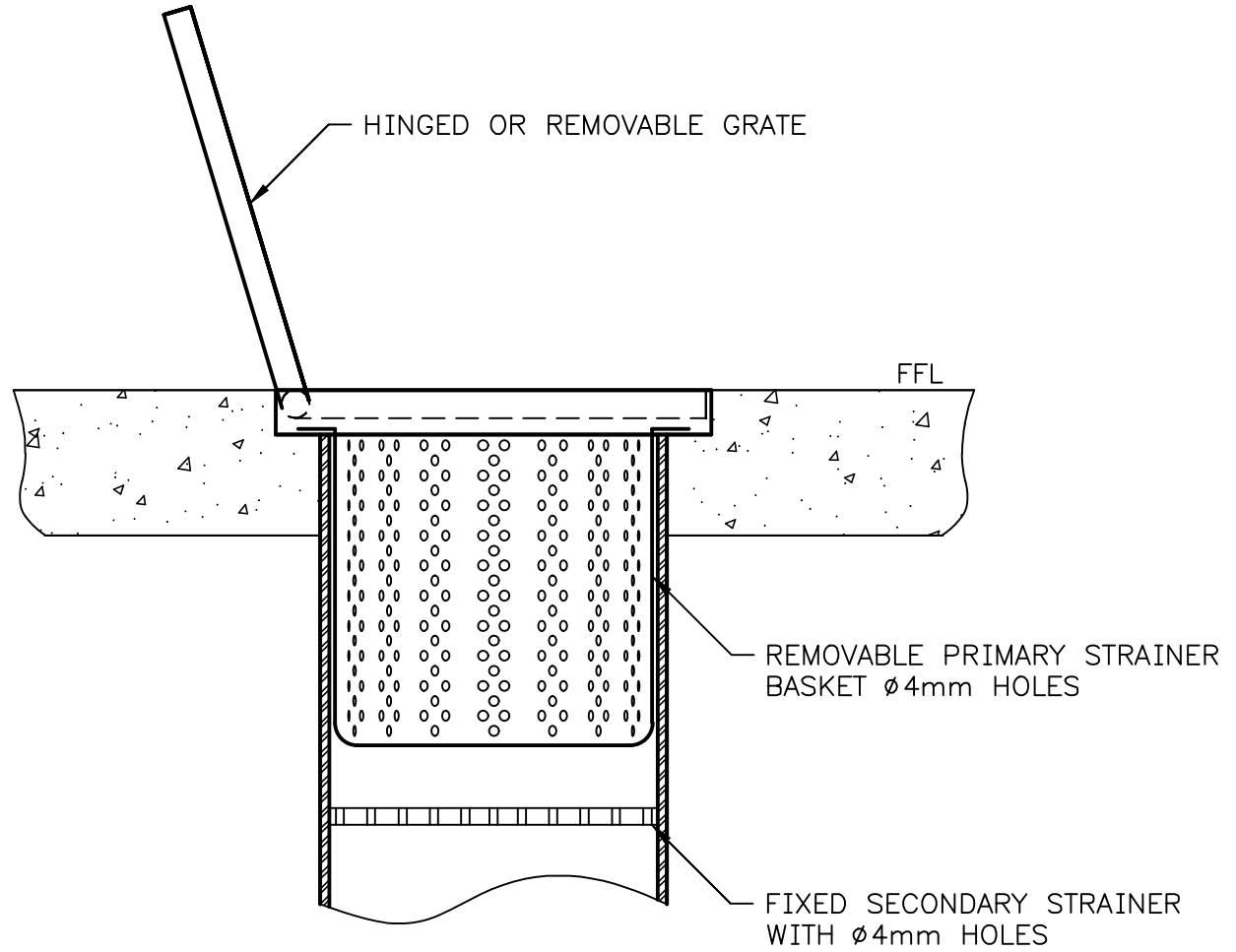


FOR MORE INFORMATION REFER TO OUR WEBSITE
watercorporation.com.au/tradewaste

GUIDELINES

1. METAL GRATES AND SURROUNDS ARE REQUIRED FOR ALL FLOOR STRAINER UNIT INSTALLATIONS.
2. HINGED OR REMOVABLE TYPE METAL GRATES MAY BE FITTED.
3. PRIMARY STRAINER BASKETS ARE TO BE FABRICATED FROM STAINLESS STEEL PERFORATED METAL OR MESH. WITH A MAXIMUM OF 4mm OPENINGS
4. FIXED SECONDARY STRAINERS ARE TO BE FABRICATED FROM STAINLESS STEEL PLATE WITH 4mm HOLES
5. ALL MEASUREMENTS SHOWN ARE IN MILLIMETERS.
6. ALL ASSOCIATED PLUMBING WORK IS TO COMPLY WITH THE PLUMBERS LICENSING AND PLUMBING STANDARDS REGULATIONS (2000) (THE PLUMBING REGULATIONS) (AS AMENDED)
7. FLOOR STRAINERS TO BE A WATER CORPORATION APPROVED PRODUCT. REFER WATER CORPORATION WEBSITE FOR LIST OF APPROVED PRODUCTS.



FLOOR STRAINER UNIT DETAIL

SCALE: DIAGRAMMATIC

DES CALC N. TALAGALA	RECOMMENDED 31/01/2024 <i>N. Talagala</i>		WATER CORPORATION TYPICAL DRAWINGS FOR TRADE WASTE FLOOR STRAINER UNITS		ORIGINAL SHEET SIZE A3
	TEAM LEADER-SERVICE PROTECTION		FILE	PLAN	
DES CHD M. STARK	APPROVED 31/01/2024 <i>M. Stark</i>		PROJECT	HX33-11-40	A MF
DRN J. DRUCE	MANAGER-COMMERICAL & INDUSTRIAL SERVICES				
Q.C. CHD P. MIRCO					