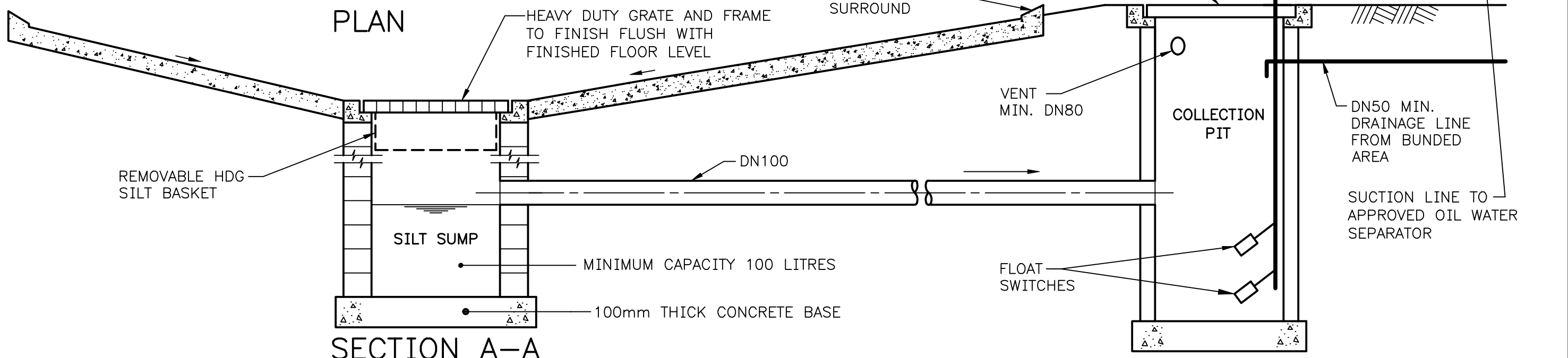


- GUIDELINES**
1. WASHDOWN AREAS GREATER IN SIZE THAN 20 SQUARE METRES MUST BE ROOFED UNLESS APPROVED BY WATER CORPORATION
 2. THE WASHDOWN AREA, REGARDLESS OF DESIGN, MUST HAVE A 75mm RAISED SURROUND.
 3. ALL SILT SUMP DESIGNS WILL BE CONSIDERED, HOWEVER, THEY MUST BE A MINIMUM OF 100 LITRES IN EFFECTIVE CAPACITY.
 4. PVC PIPE IS NOT RECOMMENDED TO BE USED FOR EFFLUENT DISCHARGE TO OIL WATER SEPARATORS.
 5. TRADE WASTE SAMPLING POINTS SHALL BE INSTALLED DOWNSTREAM OF OIL WATER SEPARATORS. REFER TO TYPICAL DRAWING HX33-11-30.
 6. ALL MEASUREMENTS SHOWN ARE IN MILLIMETRES.
 7. SILT SUMPS ARE NOT RECOMMENDED TO BE USED AS COLLECTION/PUMP PITS.
 8. THE CAPACITY OF THE COLLECTION PIT TO BE TWICE THE SIZE OR GREATER THAN THE HOLDING CAPACITY OF THE SEPARATOR.
 9. ALL ASSOCIATED PLUMBING WORK IS TO COMPLY WITH THE PLUMBERS LICENSING AND PLUMBING STANDARDS REGULATIONS 2000 (THE PLUMBING REGULATIONS) (AS AMENDED)
 10. ACCESS COVERS AND GRATES TO COMPLY WITH LATEST VERSION OF AS 3996.
 11. OIL WATER SEPARATOR TO BE A WATER CORPORATION APPROVED PRODUCT. REFER WATER CORPORATION WEBSITE FOR LIST APPROVED PRODUCTS.
 12. REFER ALSO PUBLICATION PUB41 (VEHICLE AND MACHINERY WASHDOWN AREAS) AND TYPICAL DRAWINGS HX33-12-10 (COALESCING PLATE SEPARATOR) AND HX33-12-11 (VERTICAL GRAVITY SEPARATOR)



FOR MORE INFORMATION REFER TO OUR WEBSITE watercorporation.com.au/tradewaste

SCALE: DIAGRAMMATIC

F	05/2024		NOTES 1 AND 9 AMENDED	JD	MT	MS
E	02/2020		PLUMBING REGULATION TITLE UPDATED. NOTE 11 & 12 ADDED, GENERAL UPDATES	JMS	NT	MS
D	07/2016		WEBSITE DETAILS ADDED, STANDARD REQUIREMENTS AMENDED	BJ	SJ	MS
C	01/2012		NOTE 4 & 5 MODIFIED, NOTE ADDED	BJ	MS	AM
B	06/2009		NOTES 7,8 & 9 ADDED	RJ	GC	AM
ISSUE	DATE	GRID	REVISION	DRN	REC	APPD

DES CALC	RECOMMENDED	01/08/2005		WATER CORPORATION		ORIGINAL SHEET SIZE	
DES CHD	A MANZINGER	SENIOR ASSESSMENTS OFFICER		TYPICAL DRAWINGS FOR TRADE WASTE			A3
DRN A CLEAVER	APPROVED	01/08/2005		EXTERNAL MECHANICAL WASHDOWN AREA WITH SILT SUMP		CAD ISSUE	
Q.C. CHD G CLEAVER	J HEWITT	MANAGER, INDUSTRIAL WASTES		FILE	58584699		PLAN
					PROJECT	HX33-12-20	MF