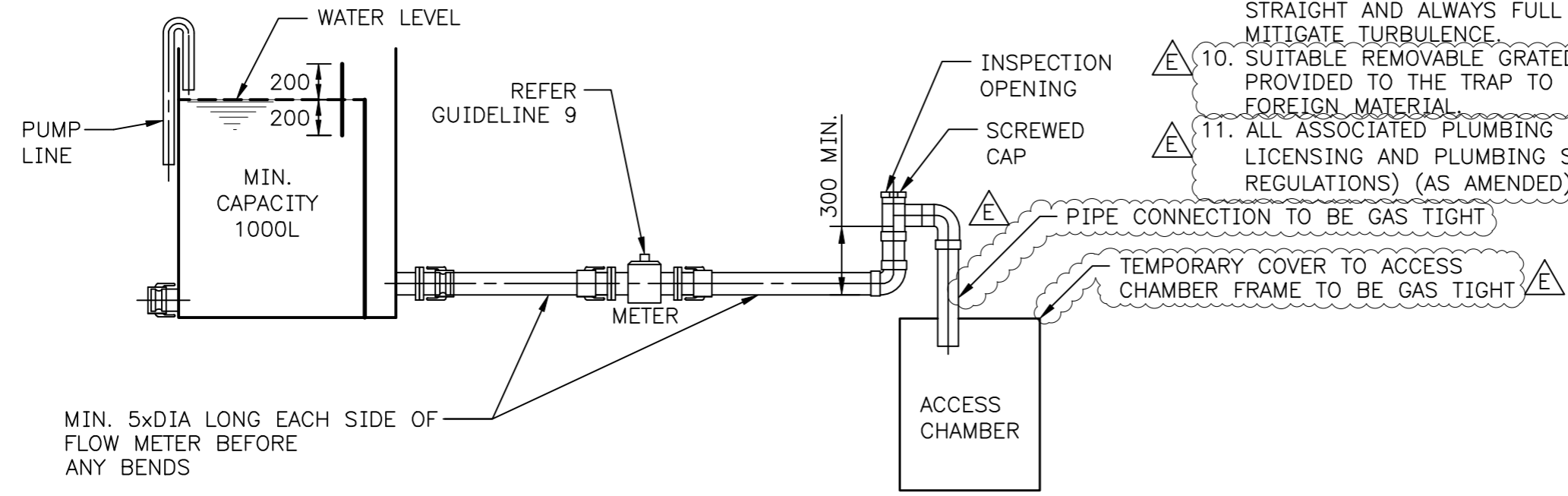


TYPICAL SETTLING TRAP SECTION



TYPICAL DEWATERING ARRANGEMENT

GUIDELINES

1. TO BE USED FOR DEWATERING OF SITE FOR CONSTRUCTION PURPOSES ONLY.
2. MINIMUM CAPACITY OF SETTLING TRAP IS 1000 LITRES AND MUST BE SIZED CORRECTLY TO ALLOW ADEQUATE SETTLING OF SUSPENDED MATTER BEFORE BEING DISCHARGED TO SEWER.
3. AN ACCESSIBLE SAMPLING POINT IS TO BE PROVIDED DOWNSTREAM OF THE SETTLING TRAP.
4. TO PREVENT ESCAPE OF SEWER GASES TO THE ENVIRONMENT, A 300mm DEEP WATER TRAP IS TO BE PROVIDED BETWEEN THE SETTLING TRAP AND THE CONNECTION POINT. ALL CONNECTIONS IN THE PIPEWORK AND TO THE DISCHARGE POINT MUST BE GAS TIGHT.
5. THE DISCHARGE RATES AND VOLUMES MUST BE VERIFIABLE THROUGH AN APPROVED FLOW METER INSTALLED DOWNSTREAM OF THE SETTLING TRAP.
6. THE DEWATERING SETUP MUST HAVE APPROPRIATE SAFETY BARRICADING FOR THE DURATION OF THE DISCHARGE TO SEWER.
7. ALL CONNECTION POINTS AT ACCESS CHAMBERS ARE TO BE PROVIDED BY WATER CORPORATION.
8. UNDER NO CIRCUMSTANCES ARE ACCESS CHAMBER LIDS TO BE REMOVED BY ANYONE OTHER THAN WATER CORPORATION EMPLOYEES OR AUTHORISED CONTRACTORS.
9. WHERE A MAGFLOW METER IS TO BE INSTALLED THEN IT MUST BE SIZED ACCORDINGLY TO THE EXPECTED FLOW RATES. PIPE RUNS MUST BE KEPT STRAIGHT AND ALWAYS FULL OF WATER EITHER SIDE OF A MAGFLOW METER TO MITIGATE TURBULENCE.
10. SUITABLE REMOVABLE GRATED COVER OR FIBRE MESH IS RECOMMENDED TO BE PROVIDED TO THE TRAP TO PREVENT BLOCKAGE OF METER FROM DEBRIS OR FOREIGN MATERIAL.
11. ALL ASSOCIATED PLUMBING WORK IS TO COMPLY WITH THE PLUMBERS LICENSING AND PLUMBING STANDARDS REGULATIONS 2000 (THE PLUMBING REGULATIONS) (AS AMENDED)

FOR MORE INFORMATION REFER TO OUR WEBSITE watercorporation.com.au/tradewaste

E	05/2024		NOTE 10 FIBRE MESH OPTION ADDED, GAS TIGHT REQUIREMENTS OF ACCESS CHAMBER ADDED TO ILLUSTRATION, NOTE 11 ADDED	JD	NT MT	MS MS
D	02/2020		DETAILS UPDATED, DETAIL TITLES ADDED, METERED PUMP ARRANGEMENT REMOVED, NOTE 5 REVISED, NOTE 10 ADDED	JMS	NT	MS
C	07/2016		WEBSITE DETAILES ADDED, MAGLOW DETAILS ADDED, GUIDELINE 9 ADDED	BJ	SJ	MS
B	06/2009		NOTES 5 & 8 MODIFIED	RJ	GC	AM
ISSUE	DATE	GRID	REVISION	DRN	REC	APPD

SCALE: DIAGRAMMATIC

DES CALC	RECOMMENDED	01/08/2005		WATER CORPORATION		ORIGINAL SHEET SIZE
DES CHD	A MANZINGER	SENIOR ASSESSMENTS OFFICER.		TYPICAL DRAWINGS FOR TRADE WASTE		
DRN K MCGREGOR	APPROVED	01/08/2005		SETTLING TRAP FOR DEWATERING		FILE 58584692
Q.C. CHD G CLEAVER	J HEWITT	MANAGER, INDUSTRIAL WASTES		PROJECT	PLAN	
					E	MF